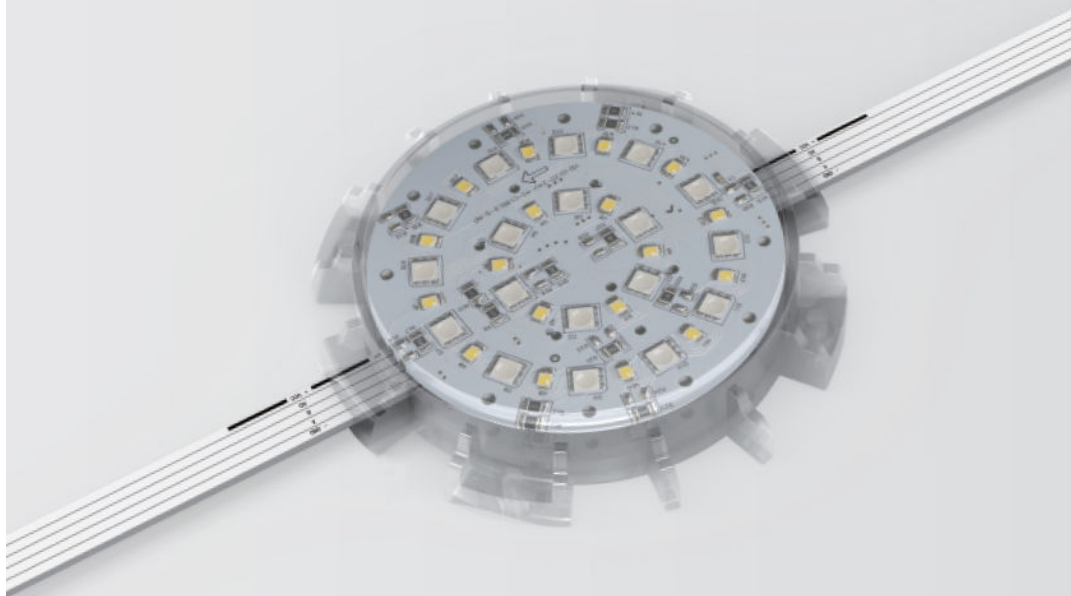


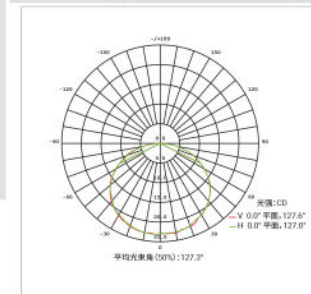
# LED Pixel DG-120



**Product Description**  
 CCT: RGB/RGB+W/B+W/R/G/B/W...  
 Pixel: 16bit  
 Beam: 130°  
 Size: Φ91×24(mm)  
 Wire: 300mm  
 Material: Transparent ModifiedPVC  
 Weight: 133G/Pc  
 Certificate: CE;FCC;CB;BIS  
 Working Temp: -40to+55C  
**Electrical**  
 Voltage: DC24V  
 Wattage: 3W, 4.5W, 5.5W  
 Control: ON/OFF, DMX512  
**IP Rating**  
 IP: 68



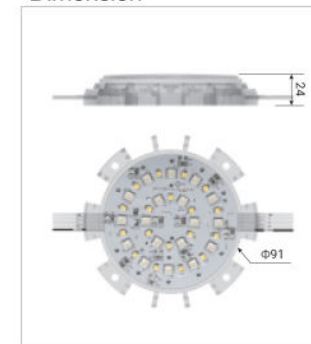
### Luminosity Distribution



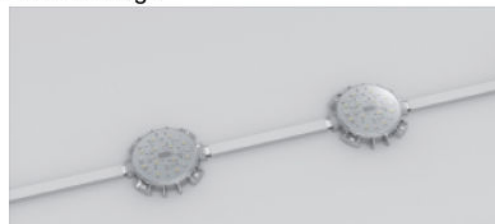
### Configuration

Control	CCT	Volt	Watt	Pixel Qty
ON/OFF	R/G/B/W	DC24V	3W	W36
DMX512	R/G/B/W	DC24V	3W	W36
DMX512	B+W	DC24V	3W	B18+W18
DMX512	RGB	DC24V	4.5W	RGB18
DMX512	RGB+W	DC24V	5.5W	RGB18+W18

### Dimension



### Product Image



This product is of biggest size and high brightness. It can be used both outdoor and indoor and even underwater 20 m. It is mainly applied to outdoor lighting projects such as for node lighting, building, bridge, park etc. Owing to its excellent waterproof performance, it can be also used as light source of underground lamp, underwater lamp for waterfall lighting, fountain lighting, swimming pool lighting etc.